

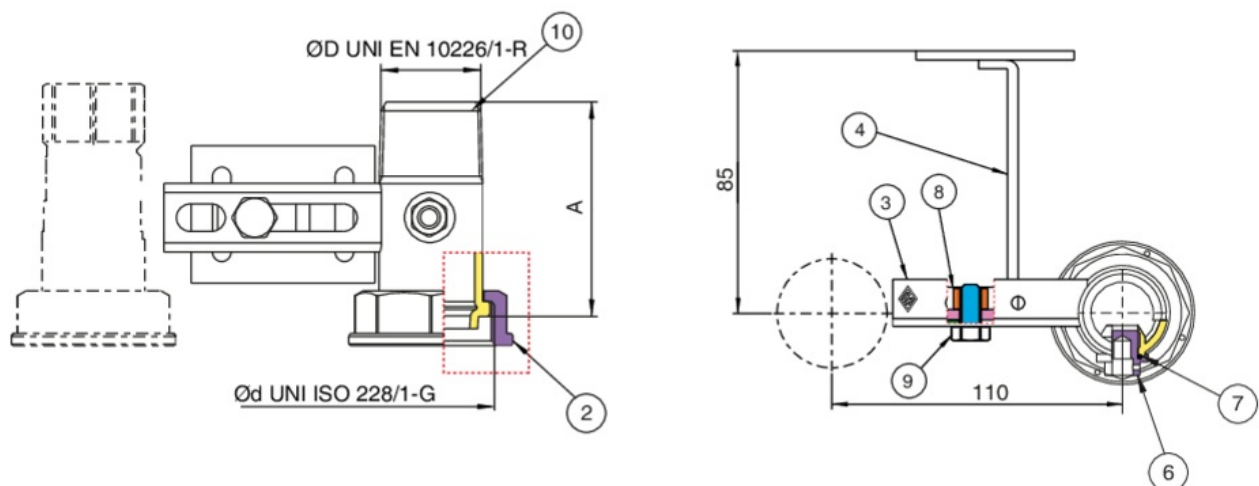
## 9F56



Steel cross beam, center distance 110 mm, with threaded union tail EN 10226-1 and fixing plate h.85 for raw plugs.



### Technical specifications



ØD X ØD	MASTER BOX	CODE	A
1" x 1"1/4	25	9F56290000	70,5

# Applications

---



GAS