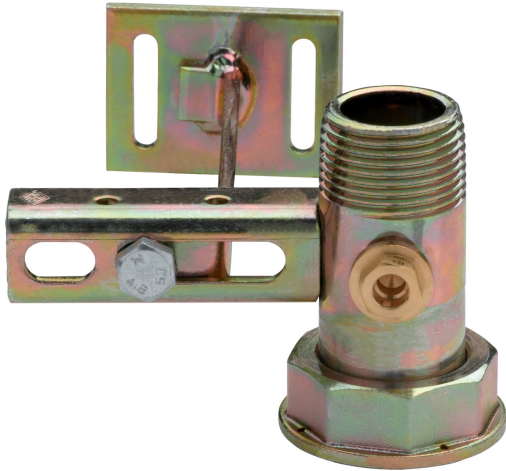


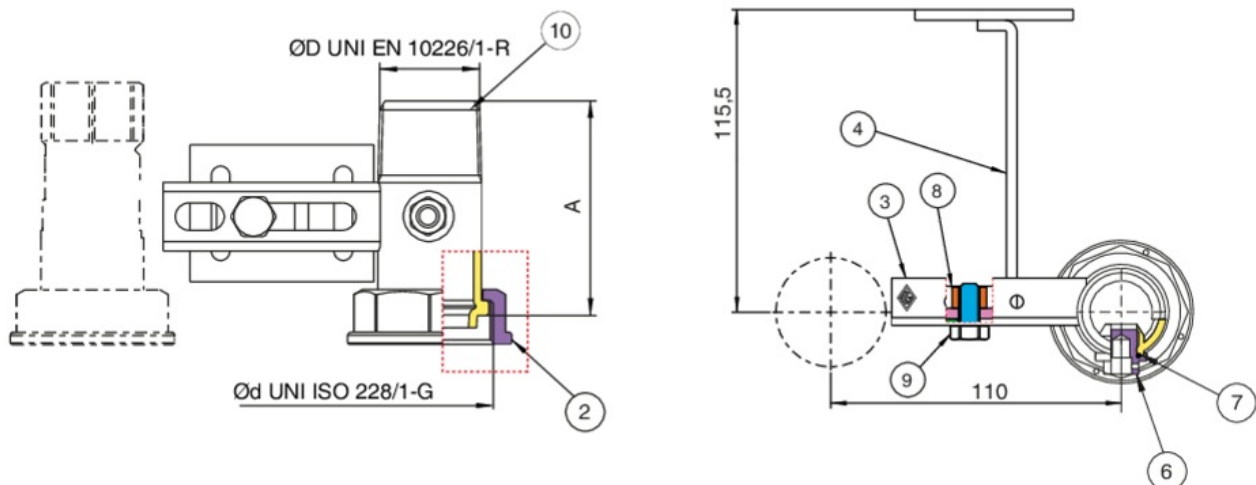
9F55



Steel cross beam, center distance 110 mm, with threaded union tail EN 10226-1 and fixing plate h.115 for raw plugs.



Technical specifications



ØD X ØD	MASTER BOX	CODE	A
1" x 1"1/4	25	9F55290000	70,5

Applications



GAS