

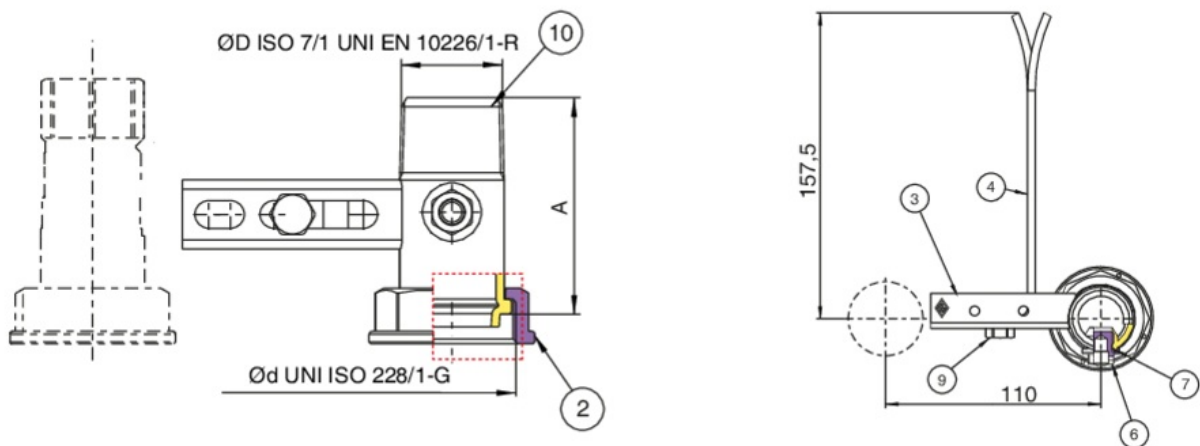
## 9F54



Steel cross beam, center distance 110 mm, with threaded union tail for pressure measurement EN 10226-1, wall fixing plate.



### Technical specifications



ØD X ØD	MASTER BOX	CODE	A
1" x 1"1/4	25	9F54290000	70,5

# Applications

---



GAS