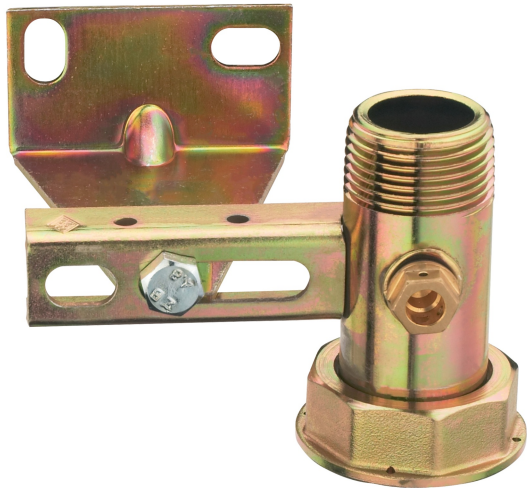


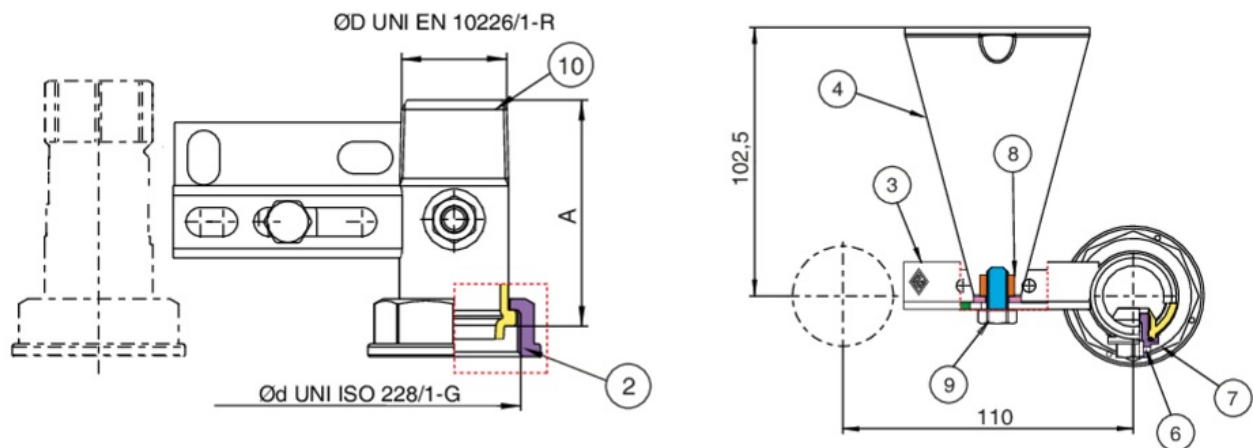
## 9F51



Steel cross beam, center distance 110 mm, with threaded EN 10226-1 union tail and pressure measurement connection, triangular fixing plate for raw plugs.



### Technical specifications



ØDXØD	PRESA PRESSIONE	MASTER BOX	CODE	A
3/4"x1"1/4	1/8	25	9F51280000	72
1"x1"1/4	1/4	25	9F51290000	70

# Applications

---



GAS