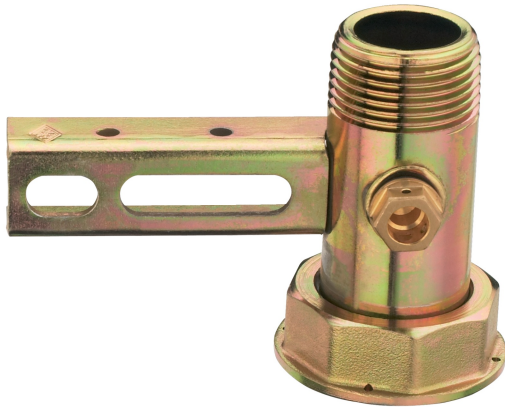


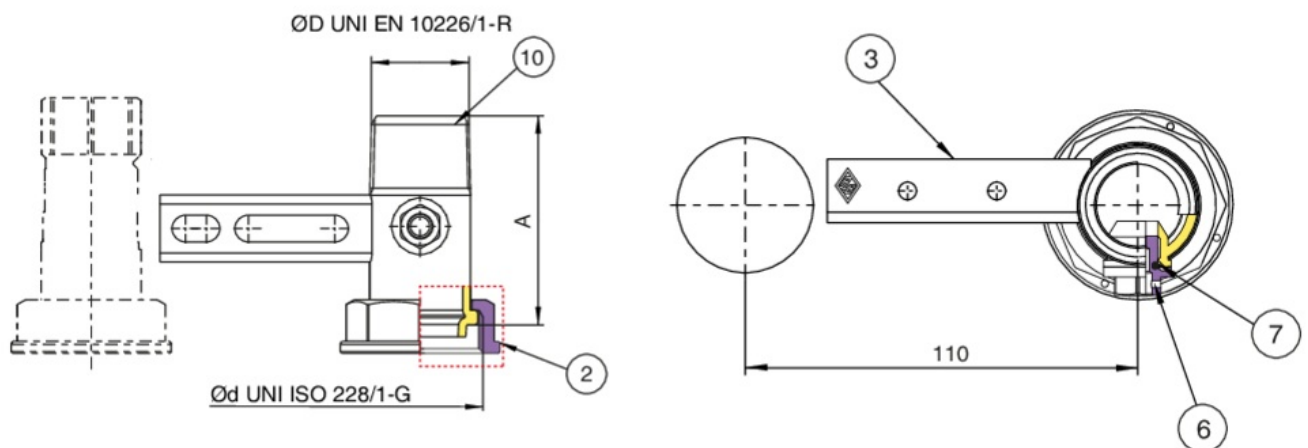
9F50



Steel cross beam, center distance 110 mm, with threaded union tail for pressure measurement EN 10226-1, without fixing plate.



Technical specifications



ØDXØD	PRESA PRESSIONE	MASTER BOX	CODE	A
1"x1"1/4	1/4	25	9F50290000	70
1"x1"1/4	1/8	25	9F50290001	70

Applications



GAS