

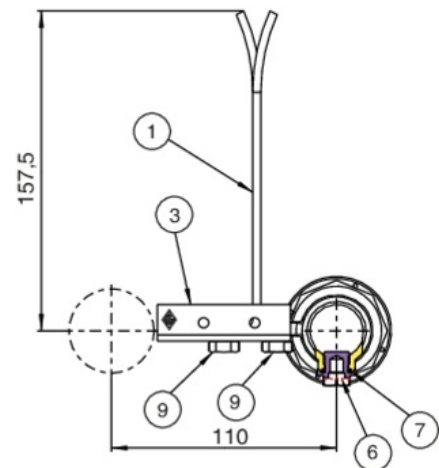
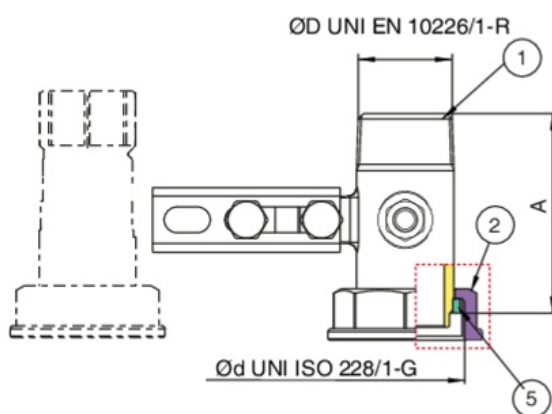
## 9F44



Steel cross beam, center distance 110 mm, with brass threaded EN 10226-1 union tail and pressure measurement connection, built-in fixing plate.



### Technical specifications



ØD X ØD	MASTER BOX	CODE	A
1" x 1"1/4	25	9F44290000	69,5

# Applications

---



GAS