

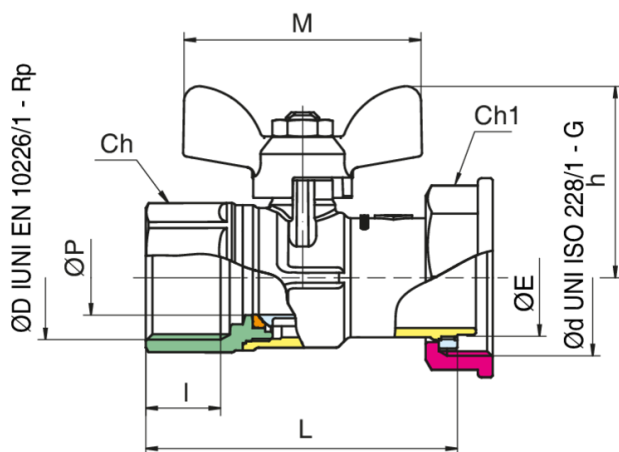
946 E

PATENTED



Ball valve for gas meter with connection for meter bracket.

Technical specifications



ØDXØD	MASTER BOX	CODE	ØP	I	ØE	CH	CH1	L	H	M	MOP	KG
3/4"x1"1/4	25	946E280000	16	16,3	30,5	31	46	76,5	49	37	5	0,40
1"x1"1/4	5	946E290000	20	19,1	30,5	38	46	83,5	51	37	5	0,48

Temperature range: -20°C +60°C.

Applications



GAS