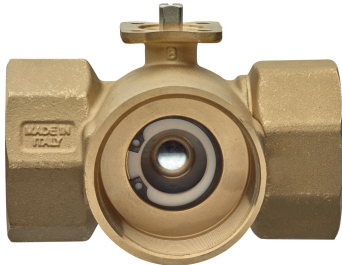


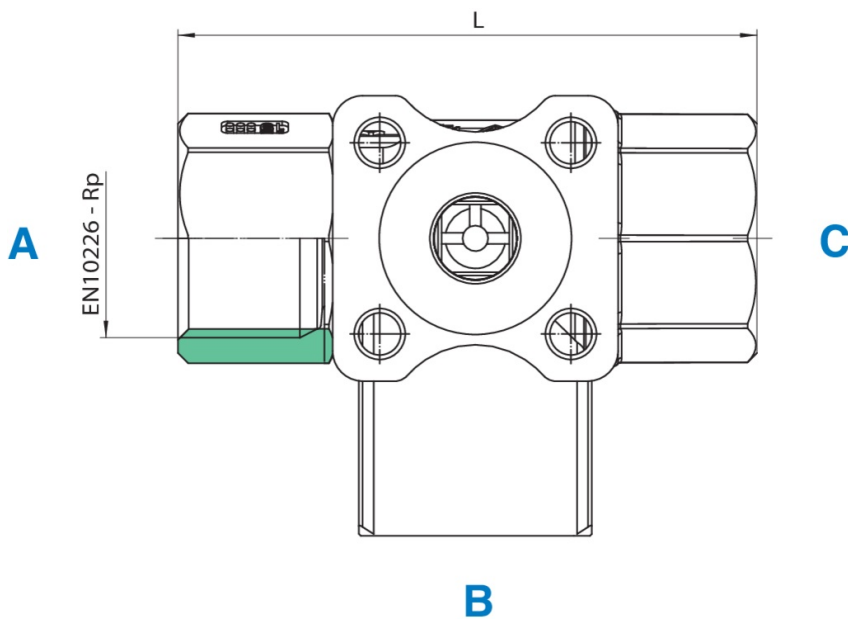
V-BALL

200600

3-way control valve with **no characterizing disks** (kit).



Technical specifications



SIZE	DN	BOX	MASTER BOX	CODE	KVS A-C	KVS B-C	L	PN	CONTROL DISK	KG
1/2"	15	1	75	2006000400	17	5	71,35	16	-	0,31
3/4"	20	1	75	2006000500	10,5	5	77,1	16	-	0,40
1"	25	1	30	2006000600	18,7	8	91	16	-	0,60
1"1/4	32	1	16	2006000700	27,9	13,4	103,75	16	-	1,03
1"1/2	40	1	16	2006000800	25	12,5	105,05	16	-	1,21
2"	50	1	4	2006001000	40	20	126,7	16	-	2,05

Applications

