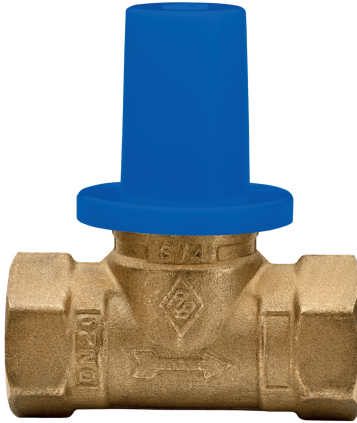


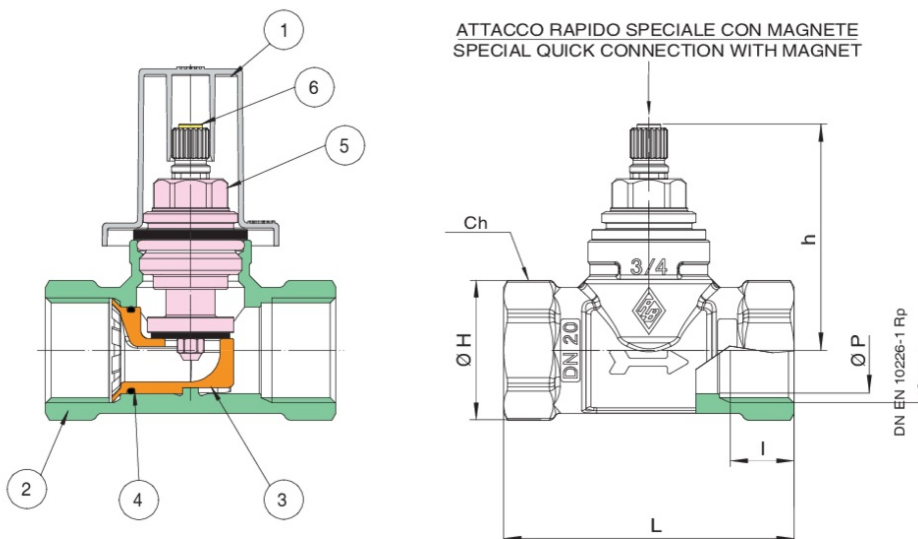
4291

Built-in valve, F/F threaded, with stop cock, with protection cover.



NEW

Technical specifications



POSITION	PART NAME	MATERIAL	N.º PIECES
1	COVER	POLY PROPYLENE	1
2	BODY	BRASS CW617N UNI EN 12420	1
3	OBSTRUCTOR	POM	1
4	O-RING	NBR	1
5	OBSTRUCTOR	POM	1
6	MAGNET	NEODIMIO	1

SIZE	DN	BOX	MASTER BOX	CODE	ØP	I	L	H	ØH	CH	KV	PN	KG
1/2"	15	10	40	4291040000	15	15	64	54,50	30,50	27	1,95	16	0,30
3/4"	20	10	20	4291050000	20	16,30	74	57,50	35,50	32	3,64	16	0,357

Temperature range: -20°C +75°C.

Applications



DRINKING
WATER



HEATING



HVAC



COMPRESSED
AIR



INDUSTRIAL



MARINE