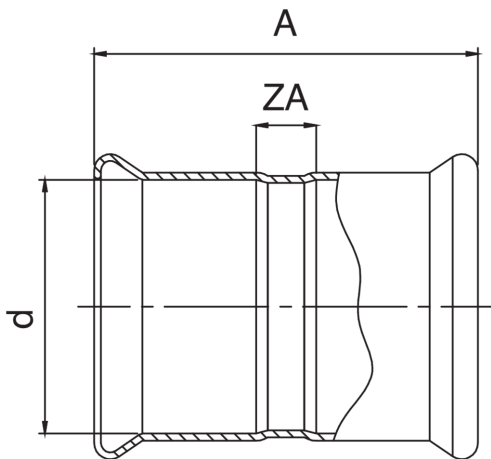


Muffe I/I.



Technische Spezifikationen



| D | BAG | MASTER BOX | CODE | A | ZA |
|------|-----|------------|-----------------|-----|----|
| 76,1 | 1 | 5 | AX0270076076000 | 152 | 50 |
| 88,9 | 1 | 5 | AX0270089089000 | 175 | 54 |
| 108 | 1 | 5 | AX0270108108000 | 204 | 66 |

Anwendungen



DRINKING
WATER



HEATING



HVAC



COMPRESSED
AIR



FIREFIGHTING



MARINE



STEAM



SOLAR



INDUSTRIAL