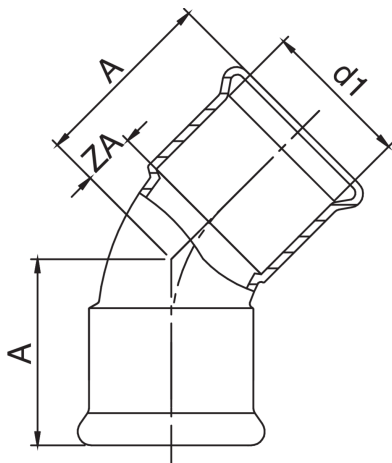




Bogen 45° I/I.



Technische Spezifikationen



| D1 | BAG | MASTER BOX | CODE | A | ZA |
|------|-----|------------|-----------------|-----|----|
| 76,1 | 1 | 5 | AX0041076076000 | 98 | 43 |
| 88,9 | 1 | 6 | AX0041089089000 | 112 | 49 |
| 108 | 1 | 2 | AX0041108108000 | 138 | 61 |

Anwendungen



DRINKING
WATER

HEATING

HVAC

COMPRESSED
AIR

FIREFIGHTING

MARINE

STEAM

SOLAR

INDUSTRIAL