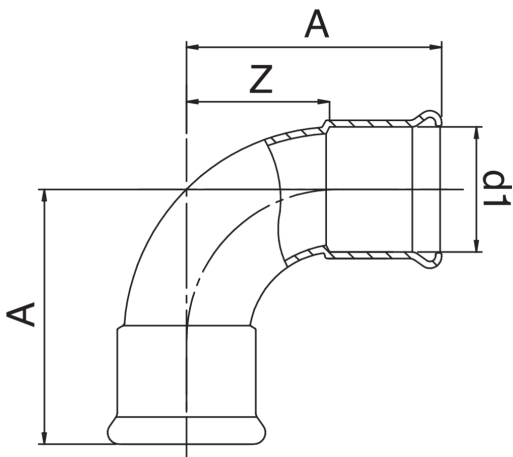




Bogen 90° I/I.



Technische Spezifikationen



| D1 | BAG | MASTER BOX | CODE | A | Z |
|------|-----|------------|-----------------|-----|-----|
| 76,1 | 1 | 5 | AX0002076076000 | 148 | 93 |
| 88,9 | 1 | 4 | AX0002089089000 | 174 | 111 |
| 108 | 1 | 2 | AX0002108108000 | 215 | 138 |

Anwendungen



DRINKING
WATER



HEATING



HVAC



COMPRESSED
AIR



FIREFIGHTING



MARINE



STEAM



SOLAR



INDUSTRIAL