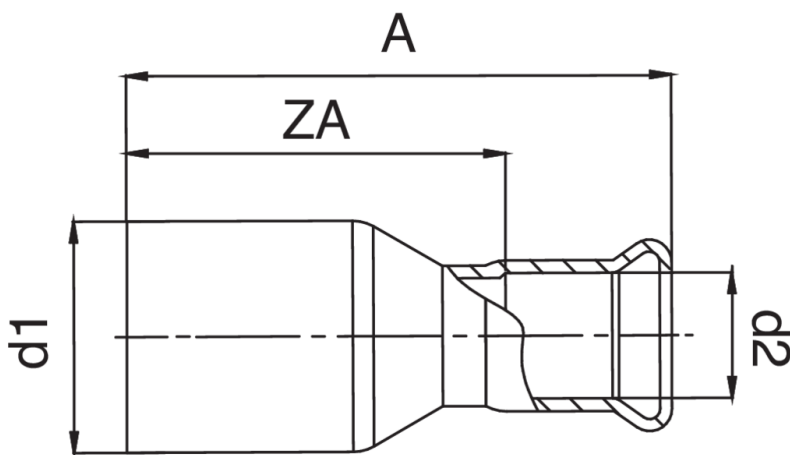


Reduzierstück I/A aus Kupfer.



Technische Spezifikationen



| D1 X D2 | BAG | MASTER BOX | CODE | A | ZA |
|-------------|-----|------------|-----------------|-----|-----|
| 76,1 x 66,7 | 1 | 10 | RR9243076067000 | - | - |
| 88,9 x 76,1 | 1 | 15 | RR9243089076000 | 176 | 121 |
| 108 x 66,7 | 1 | 5 | RR9243108067000 | - | - |
| 108 x 76,1 | 1 | 5 | RR9243108076000 | 255 | 190 |
| 108 x 88,9 | 1 | 5 | RR9243108089000 | 246 | 176 |

Anwendungen



DRINKING
WATER



HEATING



HVAC



COMPRESSED
AIR



FIREFIGHTING