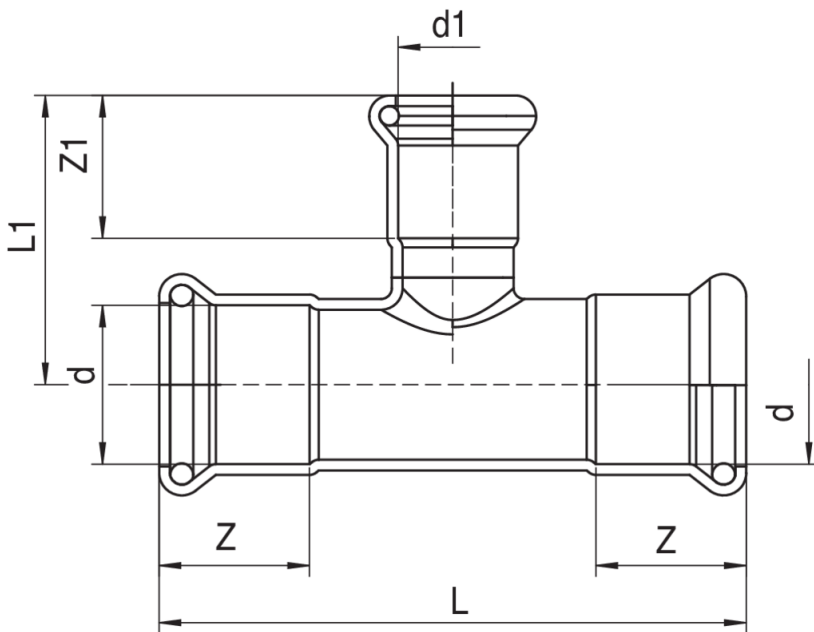




T-Stück reduziert.

## Technische Spezifikationen



| D X D1 X D         | BAG | MASTER BOX | CODE           | L     | L1    | Z    | Z1   |
|--------------------|-----|------------|----------------|-------|-------|------|------|
| 18 x 15 x 18       | 10  | 160        | 5N3300181518   | 68    | 37,5  | 19,5 | 19   |
| 22 x 15 x 22       | 10  | 100        | 5N3300221522   | 82    | 40    | 21   | 19   |
| 22 x 18 x 22       | 10  | 120        | 5N3300221822   | 82    | 41,5  | 21   | 19,5 |
| 28 x 15 x 28       | 5   | 100        | 5N3300281528   | 90    | 43,5  | 22   | 19   |
| 28 x 18 x 28       | 5   | 70         | 5N3300281828   | 90    | 45,5  | 22   | 19,5 |
| 28 x 22 x 28       | 5   | 70         | 5N3300282228   | 90    | 48,5  | 22   | 21   |
| 35 x 15 x 35       | 5   | 50         | 5N3300351535   | 107   | 46    | 27   | 19   |
| 35 x 18 x 35       | 5   | 50         | 5N3300351835   | 107   | 48    | 27   | 19,5 |
| 35 x 22 x 35       | 5   | 40         | 5N3300352235   | 107   | 51    | 27   | 21   |
| 35 x 28 x 35       | 5   | 40         | 5N3300352835   | 107   | 52,5  | 27   | 22   |
| 42 x 15 x 42       | 2   | 24         | 5N3300421542   | 117   | 49,5  | 30   | 19   |
| 42 x 18 x 42       | 2   | 24         | 5N3300421842   | 117   | 51,5  | 30   | 19,5 |
| 42 x 22 x 42       | 2   | 30         | 5N3300422242   | 117   | 54,5  | 30   | 21   |
| 42 x 28 x 42       | 2   | 24         | 5N3300422842   | 117   | 56    | 30   | 22   |
| 42 x 35 x 42       | 2   | 24         | 5N3300423542   | 117   | 63    | 30   | 27   |
| 54 x 15 x 54       | 2   | 16         | 5N3300541554   | 144,5 | 55,5  | 35   | 19   |
| 54 x 18 x 54       | 2   | 16         | 5N3300541854   | 144,5 | 57,7  | 35   | 19,5 |
| 54 x 22 x 54       | 2   | 16         | 5N3300542254   | 144,5 | 60,5  | 35   | 21   |
| 54 x 28 x 54       | 2   | 16         | 5N3300542854   | 144,5 | 62    | 35   | 22   |
| 54 x 35 x 54       | 2   | 16         | 5N3300543554   | 144,5 | 70    | 35   | 27   |
| 54 x 42 x 54       | 2   | 16         | 5N3300544254   | 144,5 | 72    | 35   | 30   |
| 76,1 x 22 x 76,1   | 1   | 4          | 5N3300762276   | 232   | 71,5  | 54   | 21   |
| 76,1 x 28 x 76,1   | 1   | 4          | 5N3300762876   | 232   | 73    | 54   | 23   |
| 76,1 x 35 x 76,1   | 1   | 4          | 5N3300763576   | 232   | 80    | 54   | 27   |
| 76,1 x 42 x 76,1   | 1   | 4          | 5N3300764276   | 232   | 82    | 54   | 30   |
| 76,1 x 54 x 76,1   | 1   | 4          | 5N3300765476   | 232   | 88    | 54   | 35   |
| 88,9 x 22 x 88,9   | 1   | 3          | 5N3300882288   | 243   | 78    | 61   | 21   |
| 88,9 x 28 x 88,9   | 1   | 3          | 5N3300882888   | 243   | 79,5  | 61   | 23   |
| 88,9 x 35 x 88,9   | 1   | 3          | 5N3300883588   | 243   | 86,5  | 61   | 27   |
| 88,9 x 42 x 88,9   | 1   | 3          | 5N3300884288   | 243   | 88,5  | 61   | 30   |
| 88,9 x 54 x 88,9   | 1   | 3          | 5N3300885488   | 243   | 94,5  | 61   | 35   |
| 88,9 x 76,1 x 88,9 | 1   | 2          | 5N3300887688   | 243   | 118,5 | 61   | 54   |
| 108 x 22 x 108     | 1   | 2          | 5N330010822108 | 310   | 87,5  | 76   | 21   |
| 108 x 28 x 108     | 1   | 2          | 5N330010828108 | 310   | 89    | 76   | 23   |
| 108 x 35 x 108     | 1   | 2          | 5N330010835108 | 310   | 96    | 76   | 27   |
| 108 x 42 x 108     | 1   | 2          | 5N330010842108 | 310   | 98    | 76   | 30   |
| 108 x 54 x 108     | 1   | 2          | 5N330010854108 | 310   | 104   | 76   | 35   |
| 108 x 76,1 x 108   | 1   | 1          | 5N330010876108 | 310   | 128   | 76   | 54   |
| 108 x 88,9 x 108   | 1   | 1          | 5N330010888108 | 310   | 140   | 76   | 61   |

## Anwendungen



MARINE