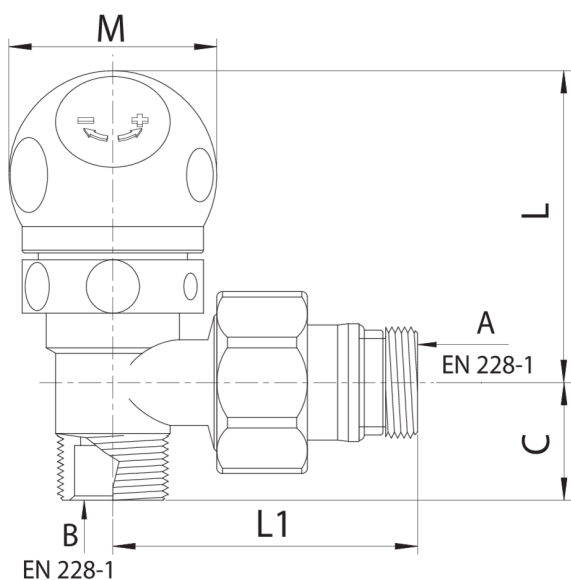


599100

Winkelthermostatventil AG-AG.



Technische Spezifikationen



TRATTAMENTO - TREATMENT	A	B	BOX	MASTER BOX	CODE	C	L	L1	M
Nichelato - Nickel plated	3/8"	1/2" x 16	15	90	5991000403	20	49	65	39
Nichelato - Nickel plated	1/2"	1/2" x 16	15	60	5991000404	23	56	65	39

Anwendungen



DRINKING WATER



HEATING



HVAC



COMPRESSED AIR



INDUSTRIAL



MARINE