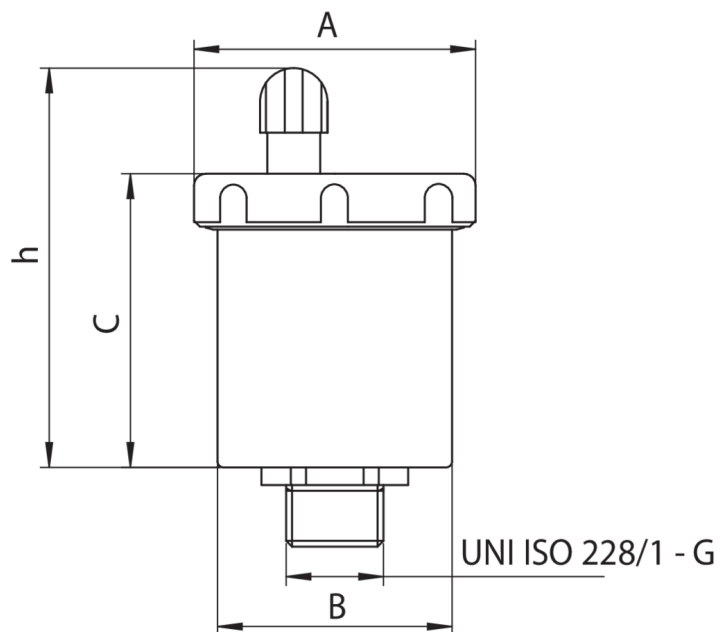


595020

Automatico Entlüftungsventil, gerade Ausführung.



Technische Spezifikationen



TRATTAMENTO - TREATMENT	MISURA - SIZE	BOX	MASTER BOX	CODE	A	B	C	H
Nichelato - Nickel plated	3/8"	10	40	59502003	48	40	50	68
Nichelato - Nickel plated	1/2"	10	40	59502004	48	40	50	68

Anwendungen



DRINKING WATER



HEATING



HVAC



COMPRESSED AIR



INDUSTRIAL



MARINE