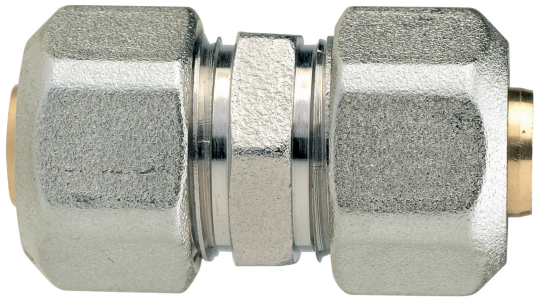
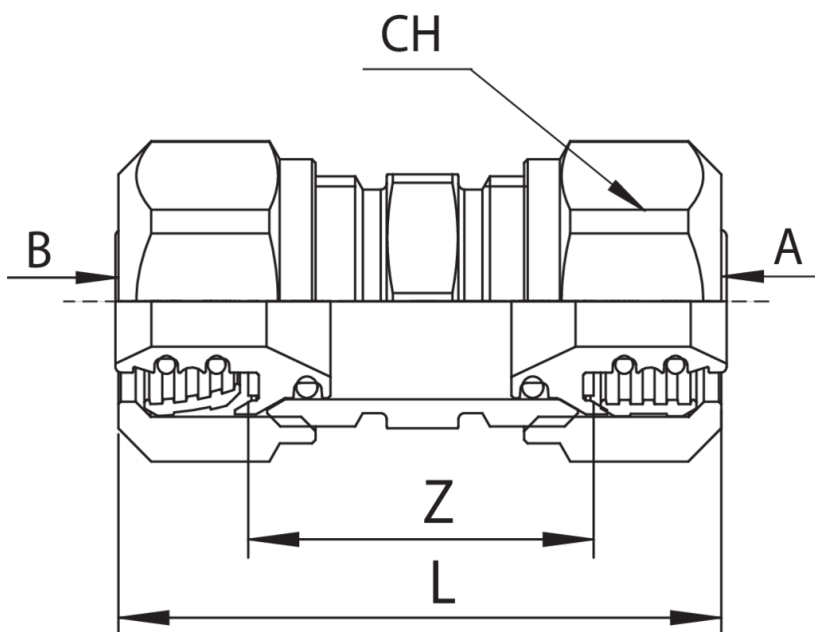


500290

Kupplung.



Technische Spezifikationen



TRATTAMENTO - TREATMENT	A X B	SP	BAG	BOX	MASTER BOX	CODE	CH	L	Z
Nichelato - Nickel plated	14 x 14	2	5	40	160	50029014	24	48,5	25,5
Nichelato - Nickel plated	16 x 16	2	5	40	160	50029016	24	50,5	29
Nichelato - Nickel plated	18 x 18	2	5	25	100	50029018	30	56	31,5
Nichelato - Nickel plated	20 x 20	2	5	25	100	50029020	30	61,5	36,5

Anwendungen



DRINKING
WATER



HEATING



HVAC



COMPRESSED
AIR



INDUSTRIAL



MARINE

