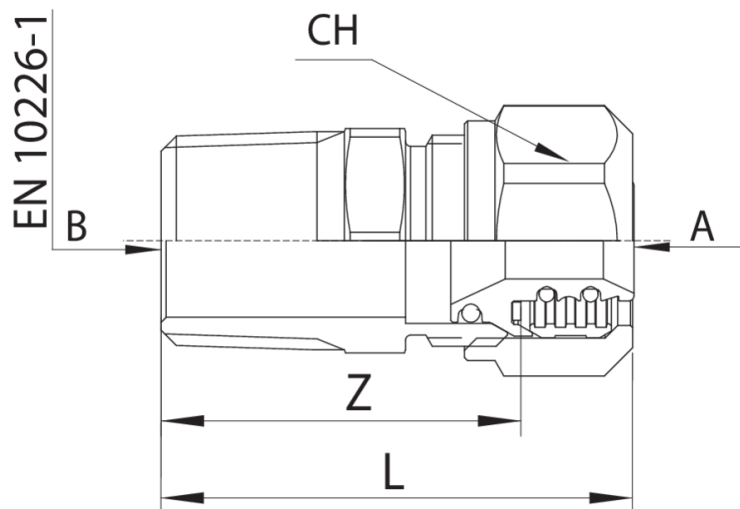


**500090**

Übergangsstück AG.



## Technische Spezifikationen



TRATTAMENTO - TREATMENT	A x B	SP	BAG	BOX	MASTER BOX	CODE	CH	L	Z
Nichelato - Nickel plated	14 x 1/2"	2	5	50	200	500090142004	24	45,5	34
Nichelato - Nickel plated	14 x 3/4"	2	5	30	120	500090142005	24	47	35,5
Nichelato - Nickel plated	16 x 1/2"	2	5	50	200	500090162004	24	46,5	35,5
Nichelato - Nickel plated	16 x 3/4"	2	5	25	100	500090162005	24	48	37
Nichelato - Nickel plated	18 x 1/2"	2	5	30	120	500090182004	30	49,5	37,5
Nichelato - Nickel plated	18 x 3/4"	2	5	25	100	500090182005	30	50	38
Nichelato - Nickel plated	20 x 1/2"	2	5	30	120	500090202004	30	52,5	40
Nichelato - Nickel plated	20 x 3/4"	2	5	25	100	500090202005	30	53	40,5

# Anwendungen



DRINKING WATER



HEATING



HVAC



COMPRESSED AIR



INDUSTRIAL



MARINE