



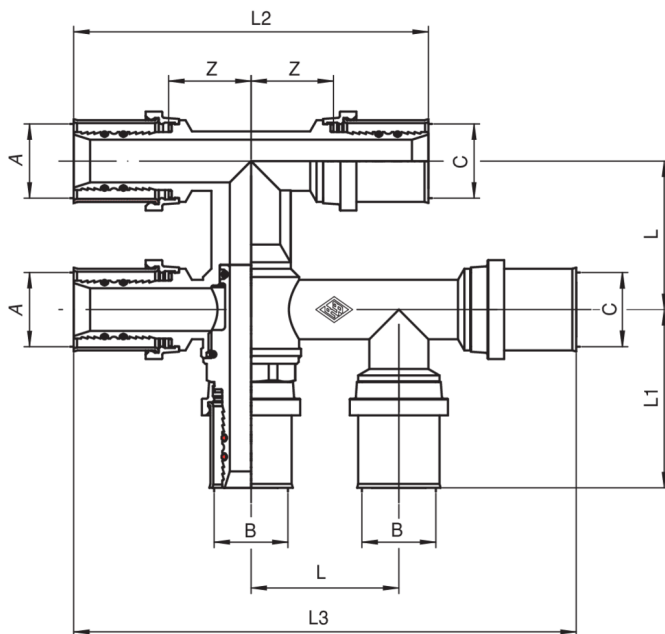
503700

PATENTED

Kreuzungs-T-Stück.



Technische Spezifikationen



| AXBXC | SP | BAG | BOX | MASTER BOX | CODE | L | L1 | L2 | L3 | Z |
|--------------|----|-----|-----|------------|--------------|----|----|----|-----|------|
| 16 x 16 x 16 | 2 | 1 | 10 | 40 | 503700161616 | 40 | 48 | 96 | 136 | 22,5 |
| 20 x 16 x 16 | 2 | 1 | 5 | 20 | 503700201616 | 40 | 48 | 96 | 136 | 22,5 |
| 20 x 16 x 20 | 2 | 1 | 5 | 20 | 503700201620 | 40 | 48 | 96 | 136 | 22,5 |
| 20 x 20 x 20 | 2 | 1 | 5 | 20 | 503700202020 | 40 | 48 | 96 | 136 | 22,5 |

Anwendungen



DRINKING WATER



HEATING



HVAC



COMPRESSED AIR



INDUSTRIAL



MARINE