

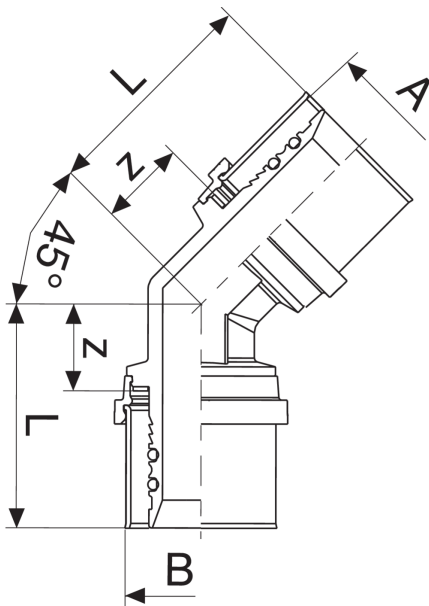
501400

PATENTED

Winkelkupplung 45°.



Technische Spezifikationen



| A X B | SP | BAG | BOX | MASTER BOX | CODE | L | Z |
|---------|-----|-----|-----|------------|----------|------|------|
| 26 x 26 | 3 | 5 | 20 | 80 | 50140026 | 47,5 | 16,5 |
| 32 x 32 | 3 | 5 | 15 | 60 | 50140032 | 52 | 19,5 |
| 40 x 40 | 3,5 | 1 | 10 | 40 | 50140040 | 49 | 23,5 |
| 50 x 50 | 4 | 1 | 6 | 24 | 50140050 | 60 | 26 |
| 63 x 63 | 4,5 | 1 | 2 | 8 | 50140063 | 65 | 31 |

Anwendungen



DRINKING
WATER



HEATING



HVAC



COMPRESSED
AIR



INDUSTRIAL



MARINE