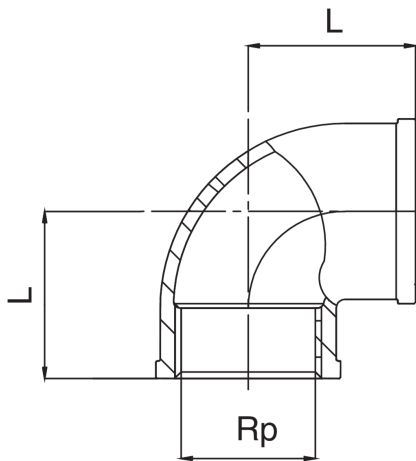


## RB3090

Winkel 90° mit I Gewinde.



### Technische Spezifikationen



RP	BAG	MASTER BOX	CODE	L
1/4"	10	150	RB3090A14A14000	20
3/8"	10	250	RB3090A38A38000	20
1/2"	10	100	RB3090A12A12000	23
3/4"	5	50	RB3090A34A34000	30
1"	5	40	RB3090B01B01000	36
1 1/4"	5	25	RB3090B14B14000	45
1 1/2"	5	20	RB3090B12B12000	49
2"	1	10	RB3090C02C02000	57

### Anwendungen



DRINKING  
WATER



HEATING



HVAC



GAS



COMPRESSED  
AIR



SOLAR



FIREFIGHTING