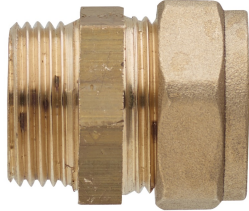
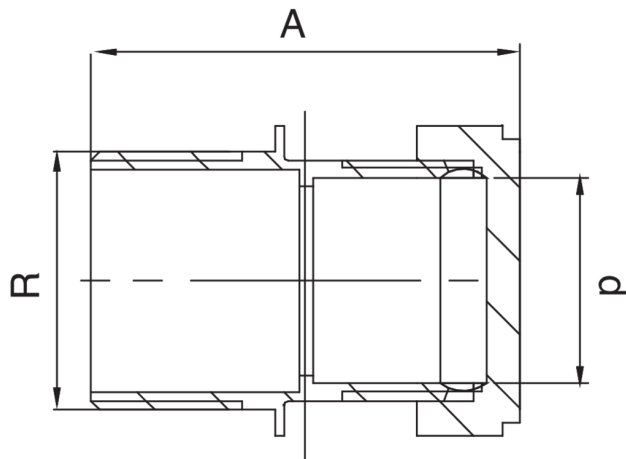


OT6007

Nippel mit A Gewinde.



Technische Spezifikationen



| D X R | BAG | MASTER BOX | CODE | A |
|-----------|-----|------------|-----------------|------|
| 8 x 1/4" | 10 | 100 | OT6007A14008000 | 30 |
| 8 x 3/8" | 10 | 900 | OT6007A38008000 | 30 |
| 10 x 1/4" | 10 | 100 | OT6007A14010000 | 30 |
| 10 x 3/8" | 10 | 250 | OT6007A38010000 | 30 |
| 10 x 1/2" | 10 | 200 | OT6007A12010000 | 32 |
| 12 x 3/8" | 10 | 250 | OT6007A38012000 | 30 |
| 12 x 1/2" | 10 | 250 | OT6007A12012000 | 32,5 |
| 14 x 3/8" | 10 | 700 | OT6007A38014000 | 32,5 |
| 14 x 1/2" | 10 | 250 | OT6007A12014000 | 34,5 |
| 15 x 3/8" | 10 | 100 | OT6007A38015000 | 33 |
| 15 x 1/2" | 10 | 250 | OT6007A12015000 | 36 |
| 15 x 3/4" | 10 | 100 | OT6007A34015000 | 36 |
| 16 x 1/2" | 10 | 250 | OT6007A12016000 | 36 |
| 18 x 1/2" | 10 | 100 | OT6007A12018000 | 37,5 |
| 18 x 3/4" | 10 | 100 | OT6007A34018000 | 37,5 |
| 22 x 3/4" | 10 | 250 | OT6007A34022000 | 37,5 |
| 22 x 1" | 10 | 100 | OT6007B01022000 | 41 |
| 28 x 1" | 10 | 50 | OT6007B01028000 | 45 |

Anwendungen

