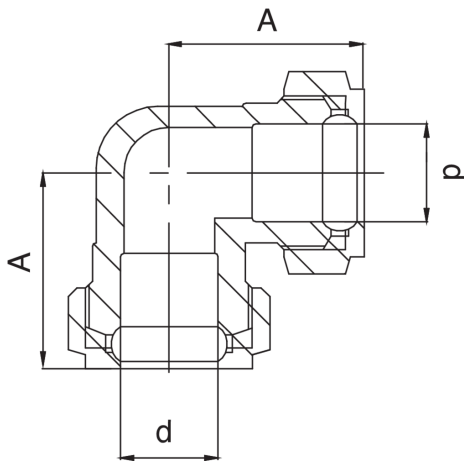


OT6002

Winkel 1/1.



Technische Spezifikationen



D	BAG	MASTER BOX	CODE	A
8	10	100	OT6002008008000	23,5
10	10	100	OT6002010010000	26
12	10	100	OT6002012012000	27
14	10	100	OT6002014014000	28,5
15	10	100	OT6002015015000	29
16	10	100	OT6002016016000	29,5
18	10	100	OT6002018018000	31
22	10	50	OT6002022022000	33,5
28	10	50	OT6002028028000	42

Anwendungen



DRINKING
WATER



HEATING



HVAC



GAS



COMPRESSED
AIR



SOLAR