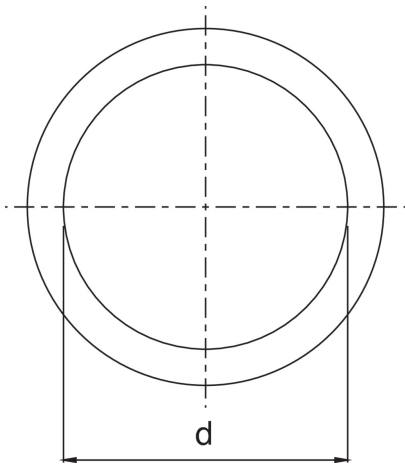


## OT2151

Scheibe.



### Technische Spezifikationen



D	BAG	MASTER BOX	CODE
8	10	10	OT215100800000
10	10	10	OT215101000000
12	10	10	OT215101200000
14	10	10	OT215101400000
16	10	10	OT215101600000
18	10	10	OT215101800000
22	10	10	OT215102200000
28	10	10	OT215102800000

### Anwendungen



DRINKING  
WATER



HEATING



HVAC



GAS



COMPRESSED  
AIR