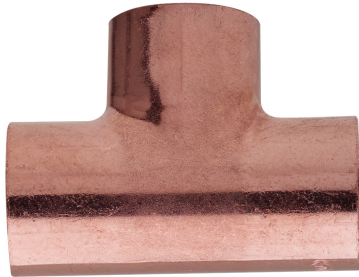
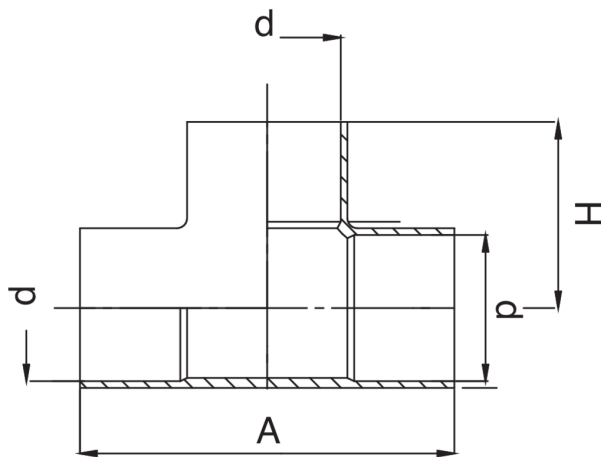


FR5130

T-Stück I/I.



Technische Spezifikationen



D	BAG	MASTER BOX	CODE	A	H
1/4"	10	1000	FR5130A14A14A14	27	13,5
3/8"	10	400	FR5130A38A38A38	30	15
1/2"	10	300	FR5130A12A12A12	36	18
5/8"	10	200	FR5130A58A58A58	44	22
3/4"	10	100	FR5130A34A34A34	54	27
7/8"	10	70	FR5130A78A78A78	64	32
1"	5	50	FR5130B01B01B01	74	37
1 1/8"	5	30	FR5130B18B18B18	78	39
1 1/4"	5	25	FR5130B14B14B14	79	39,5
1 3/8"	5	20	FR5130B38B38B38	89	44,5
1 5/8"	5	10	FR5130B58B58B58	102	51
2 1/8"	1	8	FR5130C18C18C18	128	64
2 5/8"	1	12	FR5130C58C58C58	154	77
3 1/8"	1	5	FR5130D18D18D18	180	90
3 5/8"	1	4	FR5130D58D58D58	208	104

Anwendungen



REFRIGERATION