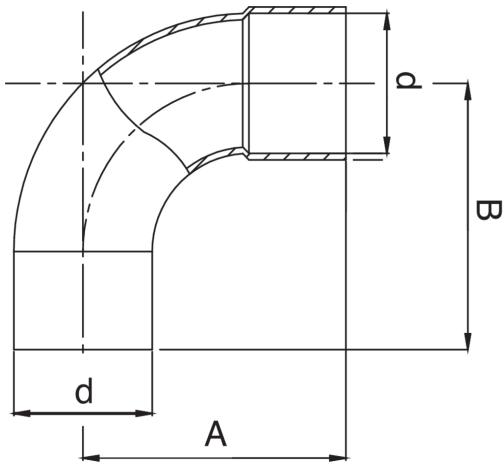


FR5001

Bogen 90° I/A.



Technische Spezifikationen



D	BAG	MASTER BOX	CODE	A	B
1/4"	10	100	FR5001A14A14000	19	20
3/8"	5	250	FR5001A38A38000	27	27,5
1/2"	10	50	FR5001A12A12000	29,5	29
5/8"	10	150	FR5001A58A58000	34	34,5
3/4"	10	160	FR5001A34A34000	45	44
7/8"	10	80	FR5001A78A78000	49	49
1"	5	50	FR5001B01B01000	56	57
1 1/8"	5	40	FR5001B18B18000	59,5	60
1 1/4"	5	30	FR5001B14B14000	58,5	59,5
1 3/8"	5	25	FR5001B38B38000	71	75
1 5/8"	5	15	FR5001B58B58000	85	87
2 1/8"	1	5	FR5001C18C18000	106	106
2 5/8"	1	10	FR5001C58C58000	131,5	134
3 1/8"	1	6	FR5001D18D18000	160	163

Anwendungen

