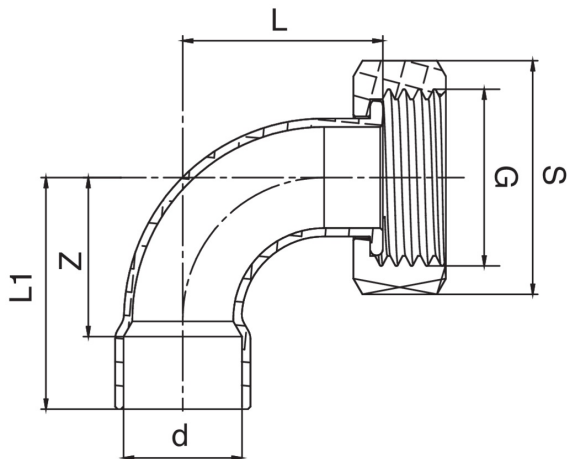


## RD5002

Bogenverschraubung 90° mit G Gewinde.



### Technische Spezifikationen



D X G	BAG	MASTER BOX	CODE	L	L1	S	Z
12 x 3/8"	10	200	RD5002A38012000	23	25	20	17
12 x 1/2"	10	150	RD5002A12012000	23	25	24	17
14 x 1/2"	10	150	RD5002A12014000	27	31	24	20
15 x 1/2"	10	150	RD5002A12015000	26	28	24	18
15 x 3/4"	10	150	RD5002A34015000	35	39	30	29
16 x 1/2"	10	100	RD5002A12016000	25	31	24	21
16 x 3/4"	10	100	RD5002A34016000	35	39	30	29
18 x 3/4"	10	100	RD5002A34018000	34	38	30	26
22 x 3/4"	10	150	RD5002A34022000	32	41	30	26

### Anwendungen



DRINKING  
WATER



HEATING



HVAC



GAS



COMPRESSED  
AIR



SOLAR



INDUSTRIAL