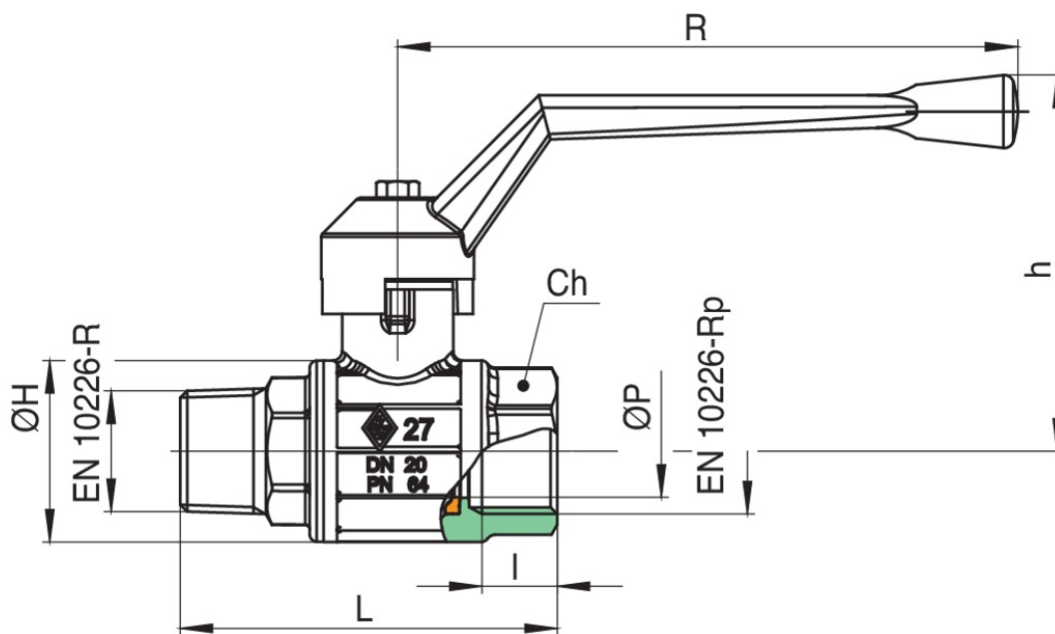


2701



Kugelhahn mit vollem Durchgang, IG/AG, mit Aluminiumhebel.

Technische Spezifikationen



| GRÖSSE | DN | BOX | MASTER BOX | CODE | ØP | I | L | ØH | CH | R | H | KV | PN | KG |
|--------|----|-----|------------|------------|----|------|-------|----|----|-----|-----|------|----|------|
| 1/4" | 8 | 20 | 80 | 2701020000 | 8 | 11 | 62 | 28 | 22 | 120 | 62 | 5,4 | 64 | 0,25 |
| 3/8" | 10 | 20 | 80 | 2701030000 | 10 | 11,4 | 61,5 | 28 | 22 | 120 | 62 | 6 | 64 | 0,25 |
| 1/2" | 15 | 20 | 40 | 2701040000 | 15 | 15 | 72,5 | 33 | 27 | 120 | 64 | 16,3 | 64 | 0,33 |
| 3/4" | 20 | 10 | 20 | 2701050000 | 20 | 16,3 | 81,5 | 39 | 32 | 134 | 80 | 29,5 | 64 | 0,49 |
| 1" | 25 | 10 | 20 | 2701060000 | 25 | 19,1 | 94,5 | 49 | 38 | 134 | 83 | 43 | 64 | 0,73 |
| 1"1/4 | 32 | 6 | 12 | 2701070000 | 32 | 21,4 | 111 | 59 | 48 | 170 | 105 | 89 | 50 | 1,16 |
| 1"1/2 | 40 | 4 | 8 | 2701080000 | 40 | 21,4 | 119 | 73 | 54 | 170 | 110 | 230 | 50 | 1,58 |
| 2" | 50 | 2 | 4 | 2701100000 | 50 | 25,7 | 141,5 | 87 | 67 | 205 | 123 | 265 | 40 | 2,56 |

Temperature range: -20°C +160°C.

Anwendungen



DRINKING WATER



HEATING



HVAC



COMPRESSED AIR



INDUSTRIAL



MARINE