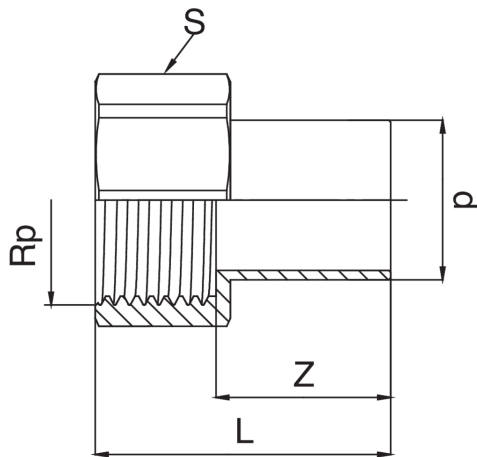


Technische Spezifikationen



D X Rp	BAG	MASTER BOX	CODE	L	S	Z
15 x 1/2"	10	100	ZCF271A12015000	48	27	32
18 x 1/2"	10	100	ZCF271A12018000	49	27	33
18 x 3/4"	10	100	ZCF271A34018000	51	32	33
22 x 1/2"	10	60	ZCF271A12022000	50	27	34
22 x 3/4"	10	60	ZCF271A34022000	52	32	34

Anwendungen



HEATING



HVAC



COMPRESSED
AIR