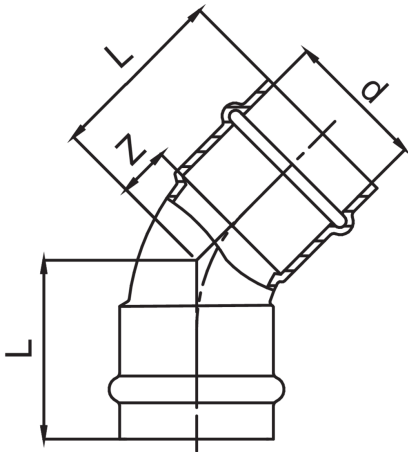




## Technische Spezifikationen



| D  | BAG | MASTER BOX | CODE            | L  | Z  |
|----|-----|------------|-----------------|----|----|
| 12 | 10  | 200        | ZC0041012012000 | 25 | 7  |
| 15 | 10  | 200        | ZC0041015015000 | 29 | 7  |
| 18 | 10  | 150        | ZC0041018018000 | 31 | 8  |
| 22 | 10  | 80         | ZC0041022022000 | 34 | 10 |
| 28 | 5   | 60         | ZC0041028028000 | 38 | 13 |
| 35 | 5   | 40         | ZC0041035035000 | 43 | 17 |
| 42 | 5   | 20         | ZC0041042042000 | 53 | 17 |
| 54 | 1   | 10         | ZC0041054054000 | 68 | 22 |

## Anwendungen

