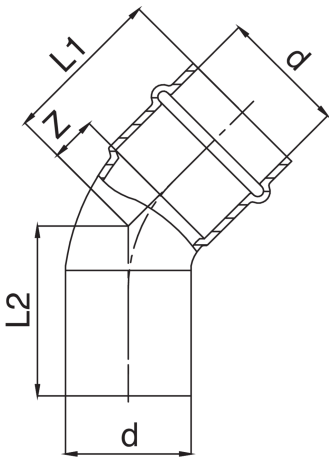




Technische Spezifikationen



| D | BAG | MASTER BOX | CODE | L1 | L2 | Z |
|----|-----|------------|-----------------|----|----|----|
| 12 | 10 | 250 | ZC0040012012000 | 25 | 27 | 7 |
| 15 | 10 | 200 | ZC0040015015000 | 29 | 31 | 7 |
| 18 | 10 | 150 | ZC0040018018000 | 31 | 33 | 8 |
| 22 | 10 | 100 | ZC0040022022000 | 34 | 36 | 10 |
| 28 | 5 | 60 | ZC0040028028000 | 38 | 40 | 13 |
| 35 | 5 | 40 | ZC0040035035000 | 43 | 45 | 17 |
| 42 | 5 | 20 | ZC0040042042000 | 53 | 55 | 17 |
| 54 | 1 | 10 | ZC0040054054000 | 68 | 70 | 28 |

Anwendungen



HEATING



HVAC



COMPRESSED
AIR