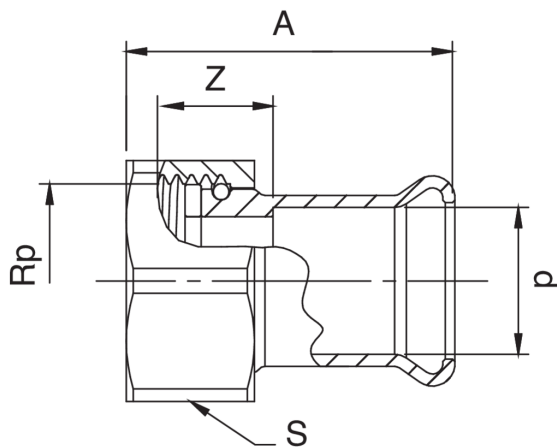




Halbe Verschraubung flachdichtend.



## Technische Spezifikationen



D X RP	BAG	MASTER BOX	CODE	A	S	Z
15 x 1/2"	10	50	MXF359A12015000	40	24	20,5
15 x 3/4"	10	100	MXF359A34015000	28	30	8,5
18 x 3/4"	5	100	MXF359A34018000	32	30	12,5
22 x 3/4"	5	50	MXF359A34022000	47	30	24,5
22 x 1"	5	100	MXF359B01022000	34	37	11,5
28 x 1"	5	80	MXF359B01028000	37	48,5	22
28 x 1 1/4"	10	50	MXF359B14028000	31	46	8,5
35 x 1 1/2"	5	20	MXF359B12035000	34	46	8,5
35 x 1 13/4"	5	60	MXF359B14035000	47	56,5	27
42 x 1 1/2"	2	54	MXF359B12042000	52	61	30
42 x 1 3/4"	2	50	MXF359B34042000	60	40	30
54 x 2"	2	30	MXF359C02054000	64	71,5	35
54 x 2 3/8"	1	10	MXF359C38054000	47	76	12,5

## Anwendungen



DRINKING  
WATER



HEATING



HVAC



COMPRESSED  
AIR



FIREFIGHTING



MARINE



STEAM



SOLAR



INDUSTRIAL