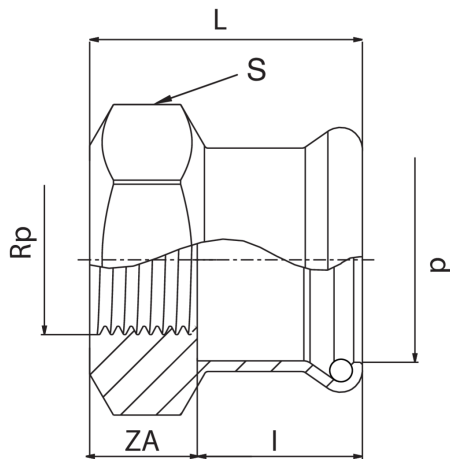


Übergangsstück I mit I Gewinde.



Technische Spezifikationen



| D X RP | BAG | MASTER BOX | CODE | I | L | S | ZA |
|-------------|-----|------------|-----------------|------|----|------|------|
| 15 x 1/2" | 10 | 150 | MXF270A12015000 | 19 | 36 | 27 | 17 |
| 15 x 3/4" | 10 | 200 | MXF270A34015000 | 42 | 19 | 16,3 | 23 |
| 18 x 1/2" | 10 | 40 | MXF270A12018000 | 19 | 36 | 27 | 17 |
| 18 x 3/4" | 10 | 100 | MXF270A34018000 | 19 | 38 | 32 | 19 |
| 22 x 1/2" | 10 | 100 | MXF270A12022000 | 22 | 37 | 32 | 15 |
| 22 x 3/4" | 10 | 100 | MXF270A34022000 | 22 | 41 | 32 | 19 |
| 22 x 1" | 5 | 50 | MXF270B01022000 | 22 | 43 | 38 | 21 |
| 28 x 3/4" | 5 | 50 | MXF270A34028000 | 22 | 37 | 38 | 15 |
| 28 x 1/2" | 5 | 100 | MXF270A12028000 | 39 | 22 | 15 | 17 |
| 28 x 1" | 5 | 50 | MXF270B01028000 | 22 | 43 | 38 | 21 |
| 28 x 1 1/4" | 5 | 90 | MXF270B14028000 | 49,5 | 22 | 21,4 | 27,5 |
| 35 x 1" | 5 | 20 | MXF270B01035000 | 25 | 81 | 45 | 56 |
| 35 x 1 1/2" | 5 | 60 | MXF270B12035000 | 55 | 27 | 21,4 | 28 |
| 35 x 1 1/4" | 1 | 30 | MXF270B14035000 | 25 | 72 | 50 | 47 |
| 42 x 1 1/4" | 2 | 50 | MXF270B14042000 | 55 | 30 | 21,4 | 25 |
| 42 x 1 1/2" | 1 | 20 | MXF270B12042000 | 29 | 74 | 55 | 45 |
| 54 x 1 1/2" | 2 | 24 | MXF270B12054000 | 60 | 35 | 21,4 | 25 |
| 54 x 2" | 1 | 10 | MXF270C02054000 | 34 | 84 | 70 | 50 |

Anwendungen



DRINKING WATER



HEATING



HVAC



COMPRESSED AIR



FIREFIGHTING



MARINE



STEAM



SOLAR



INDUSTRIAL

