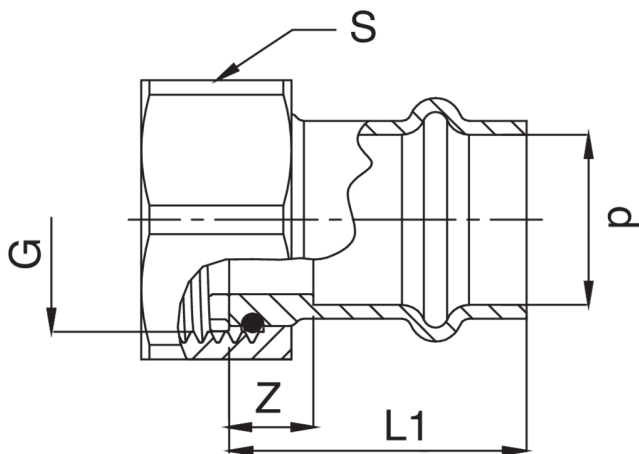


Halbe Verschraubung flachdichtend.



## Technische Spezifikationen



D X G	BAG	MASTER BOX	CODE	L1	S	Z
15 x 1/2"	10	50	ZXF359A12015000	44	24	22
15 x 3/4"	10	100	ZXF359A34015000	29	30	7
18 x 3/4"	5	100	ZXF359A34018000	32	30	9
22 x 3/4"	5	50	ZXF359A34022000	46	30	22
22 x 1"	5	100	ZXF359B01022000	38	37	14
28 x 1 1/4"	10	50	ZXF359B14028000	34	46	9
35 x 1 1/2"	5	20	ZXF359B12035000	34	46	9
42 x 2"	1	20	ZXF359C02042000	48	64	12
54 x 2 1/2"	1	10	ZXF359C12054000	45	85	5

## Anwendungen



DRINKING  
WATER



HEATING



HVAC



COMPRESSED  
AIR



FIREFIGHTING



MARINE



STEAM



SOLAR



INDUSTRIAL