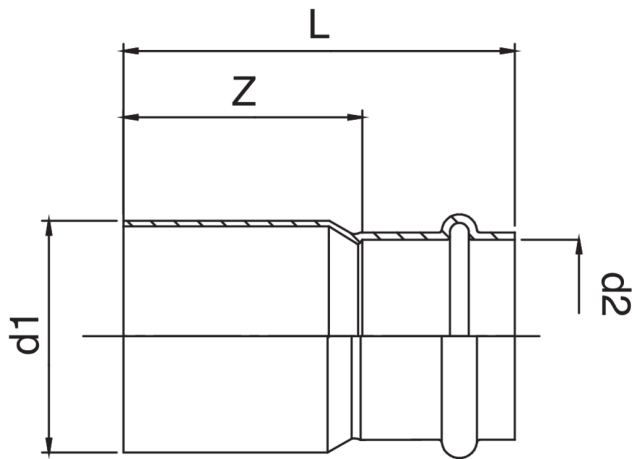




Reduzierstück I/A aus Kupfer.



Technische Spezifikationen



| D1 X D2 | BAG | MASTER BOX | CODE | L | Z |
|---------|-----|------------|-----------------|----|----|
| 14 x 12 | 10 | 300 | RZ9243014012000 | 44 | 26 |
| 15 x 12 | 10 | 300 | RZ9243015012000 | 44 | 26 |
| 16 x 12 | 10 | 250 | RZ9243016012000 | 44 | 26 |
| 16 x 14 | 10 | 250 | RZ9243016014000 | 46 | 27 |
| 18 x 12 | 10 | 300 | RZ9243018012000 | 47 | 29 |
| 18 x 14 | 10 | 200 | RZ9243018014000 | 50 | 28 |
| 18 x 15 | 10 | 200 | RZ9243018015000 | 50 | 28 |
| 18 x 16 | 10 | 200 | RZ9243018016000 | 50 | 28 |
| 22 x 14 | 10 | 150 | RZ9243022014000 | 56 | 34 |
| 22 x 15 | 10 | 150 | RZ9243022015000 | 56 | 34 |
| 22 x 16 | 10 | 150 | RZ9243022016000 | 56 | 34 |
| 22 x 18 | 10 | 150 | RZ9243022018000 | 52 | 29 |
| 28 x 15 | 10 | 100 | RZ9243028015000 | 60 | 38 |
| 28 x 18 | 10 | 100 | RZ9243028018000 | 59 | 36 |
| 28 x 22 | 10 | 100 | RZ9243028022000 | 58 | 34 |
| 35 x 22 | 10 | 60 | RZ9243035022000 | 64 | 40 |
| 35 x 28 | 10 | 50 | RZ9243035028000 | 59 | 34 |
| 42 x 22 | 5 | 50 | RZ9243042022000 | 76 | 52 |
| 42 x 28 | 5 | 40 | RZ9243042028000 | 74 | 49 |
| 42 x 35 | 5 | 40 | RZ9243042035000 | 68 | 42 |
| 54 x 35 | 5 | 40 | RZ9243054035000 | 89 | 63 |
| 54 x 42 | 5 | 20 | RZ9243054042000 | 90 | 54 |

Big-sizes, Artikel RR9243 und ZM9243, sind verfügbar.

Anwendungen



DRINKING WATER



HEATING



HVAC



COMPRESSED AIR



FIREFIGHTING