

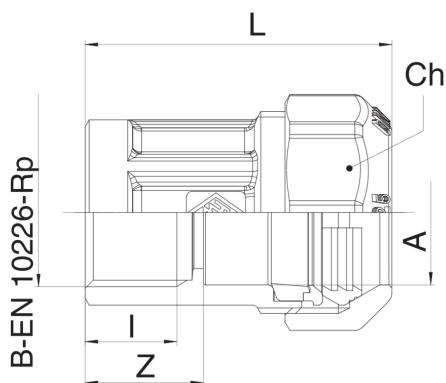
570100

Anschlussverschraubung IG mit Klemmring aus Messing.



NEW

Technische Spezifikationen



| A x B | BOX | MASTER BOX | CODE | I | CH | L | Z |
|-------------------------------------|-----|------------|-------------|------|----|------|------|
| 20 x 1/2 ¹ | 30 | 120 | 5701002004 | 15 | 34 | 47 | 19,5 |
| 25 x 1/2 ² | 25 | 100 | 5701002504 | 15 | 41 | 56 | 17 |
| 25 x 3/4 ¹ | 20 | 80 | 5701002505 | 16,3 | 41 | 55,5 | 21 |
| 32 x 3/4 ² | 20 | 80 | 5701003205 | 16,3 | 51 | 61 | 18,5 |
| 32 x 1 ¹ | 16 | 64 | 5701003206 | 19,1 | 51 | 62 | 24,5 |
| 40 x 1 ² | 10 | 40 | 5701004006 | 19,1 | 59 | 72 | 22 |
| 40 x 1 ¹ /4 | 10 | 40 | 5701004007 | 21,4 | 59 | 73 | 27,5 |
| 50 x 1 ¹ /4 ² | 6 | 24 | 5701005007 | 21,4 | 70 | 81 | 25 |
| 50 x 1 ¹ /2 | 6 | 24 | 5701005008 | 21,4 | 70 | 76 | 29,5 |
| 63 x 2 ¹ | 8 | 16 | 5701006310 | 25,7 | 87 | 85 | 33,5 |
| 75 ¹ x 2 ¹ /2 | 1 | 4 | 5701007512 | 25 | - | 90 | 30 |
| 90 ¹ x 3 ¹ | 1 | 4 | 5701009014 | 26 | - | 105 | 32 |
| 110 x 4 ¹ | 1 | 2 | 57010011018 | 30 | - | 115 | 37 |

¹ With flange.

² Reduced.

Anwendungen

