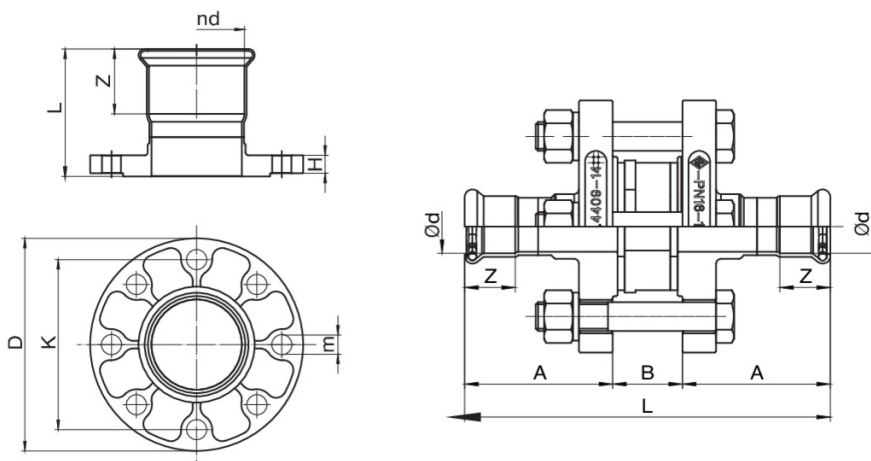


Disco-Rückschlagventil.



Technische Spezifikationen



D	BAG	MASTER BOX	CODE	Z	A	B	L
15	1	8	52910015	19	52,5	26	131
18	-	-	52910018	-	-	-	-
22	1	6	52910022	21	57,5	29	144
28	1	6	52910028	22	59	32	150
35	1	4	52910035	27	68	38	174
42	1	4	52910042	30	70	42	182
54	1	2	52910054	35	78	50	206
76,1	-	1	52910076	54	102	56	260
88,9	-	1	52910088	61	116	60	292
108	-	1	529100108	76	134	70	338

Anwendungen



DRINKING
WATER



HEATING



HVAC



COMPRESSED
AIR



FIREFIGHTING



MARINE



STEAM



SOLAR



INDUSTRIAL