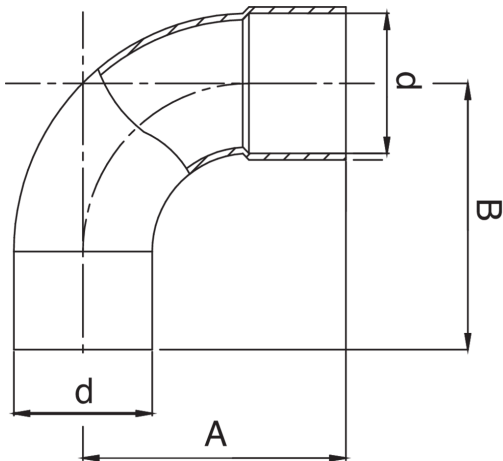


RR5001

Bogen 90° I/A.



Technische Spezifikationen



D	BAG	MASTER BOX	CODE	A	B
6	10	1000	RR5001006006000	15,5	16
8	25	1000	RR5001008008000	16,5	18
10	10	700	RR5001010010000	19,5	21,5
12	10	400	RR5001012012000	22	23,5
14	10	300	RR5001014014000	27	29
15	10	300	RR5001015015000	28	30
16	10	240	RR5001016016000	28	30
18	10	150	RR5001018018000	31	33
20	10	150	RR5001020020000	40	42
22	10	100	RR5001022022000	39	41
25	10	80	RR5001025025000	44,5	46,5
28	10	60	RR5001028028000	49	51
32	10	80	RR5001032032000	60	62
35	5	80	RR5001035035000	62	64,5
36	5	80	RR5001036036000	62	64,5
40	5	50	RR5001040040000	73,5	75
42	5	40	RR5001042042000	75,5	78
52	1	10	RR5001052052000	93,5	96
54	1	10	RR5001054054000	93	99
64	1	5	RR5001064064000	109,5	112,5
66,7	1	10	RR5001067067000	127	130
76,1	1	8	RR5001076076000	125	128
80	1	6	RR5001080080000	153	155
88,9	1	6	RR5001089089000	144,5	147,5
108	1	2	RR5001108108000	179	180

# Anwendungen



DRINKING WATER



HEATING



HVAC



GAS



COMPRESSED AIR



SOLAR



INDUSTRIAL