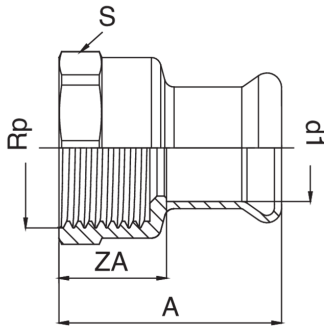


Technische Spezifikationen



D1 X RP	BAG	MASTER BOX	CODE	A	S	ZA
76,1" x 2"1/2	1	8	ACF270C12076000	114	86	59
88,9" x 3"	1	5	ACF270D03089000	123,5	98	63,5
108" x 4"	1	3	ACF270E04108000	153	122	83

Anwendungen



HEATING



HVAC



COMPRESSED
AIR