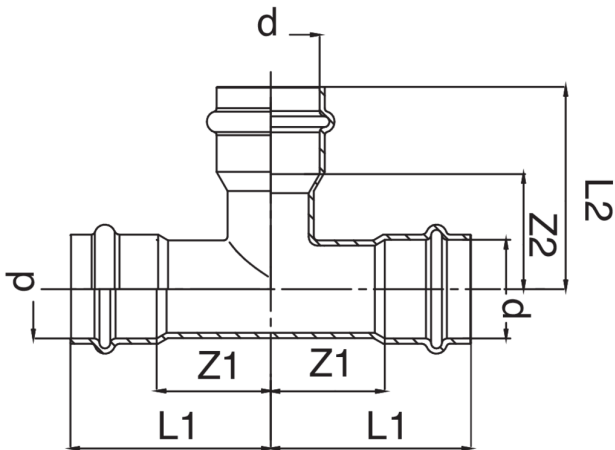




## Technische Spezifikationen



| D  | BAG | MASTER BOX | CODE            | L1 | L2 | Z1 | Z2 |
|----|-----|------------|-----------------|----|----|----|----|
| 12 | 10  | 100        | ZC0130012012012 | 29 | 30 | 11 | 12 |
| 15 | 10  | 100        | ZC0130015015015 | 41 | 42 | 19 | 20 |
| 18 | 10  | 50         | ZC0130018018018 | 46 | 56 | 23 | 33 |
| 22 | 5   | 40         | ZC0130022022022 | 49 | 54 | 25 | 30 |
| 28 | 5   | 30         | ZC0130028028028 | 58 | 58 | 33 | 33 |
| 35 | 5   | 20         | ZC0130035035035 | 58 | 62 | 32 | 36 |
| 42 | 1   | 10         | ZC0130042042042 | 71 | 75 | 35 | 39 |
| 54 | 1   | 10         | ZC0130054054054 | 82 | 86 | 42 | 46 |

## Anwendungen



HEATING



HVAC



COMPRESSED  
AIR