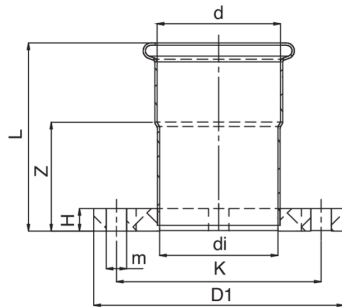




Technische Spezifikationen



D	BAG	MASTER BOX	CODE	N° FORI	DI	D1	H	K	L	M	Z
76,1	1	3	AX0273076000000	4	72	185	18	145	126	18	71
88,9	1	2	AX0273089000000	8	85	200	20	160	147	-	84
108	1	2	AX0273108000000	8	104	220	20	180	167	-	20

Anwendungen



DRINKING
WATER



HEATING



HVAC



COMPRESSED
AIR



FIREFIGHTING



MARINE



STEAM



SOLAR



INDUSTRIAL