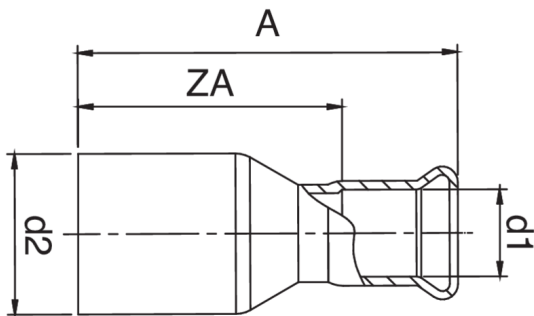


## Technische Spezifikationen



D1 X D2	BAG	MASTER BOX	CODE	A	ZA
88,9 x 76,1**	1	15	RR9243089076000	176	121
108 x 76,1**	1	5	RR9243108076000	255	190
108 x 88,9**	1	5	RR9243108089000	246	176

## Anwendungen



DRINKING  
WATER



HEATING



HVAC



GAS



COMPRESSED  
AIR



FIREFIGHTING