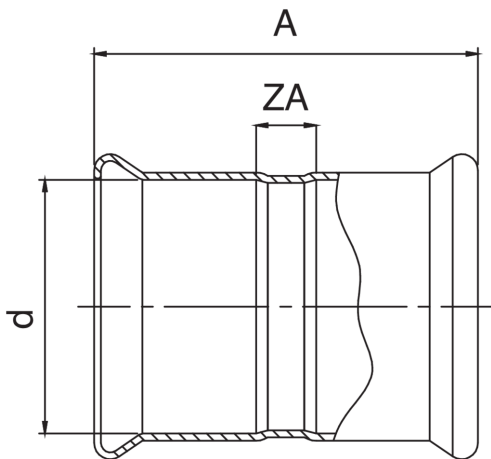


Muffe I/I aus Kupfer.



## Technische Spezifikationen



D	BAG	MASTER BOX	CODE	A	ZA
76,1*	1	12	RR9270076076000	154	54
88,9*	1	10	RR9270089089000	173	53
108*	1	1	RR9270108108000	204	64

## Anwendungen



DRINKING  
WATER



HEATING



HVAC



GAS



COMPRESSED  
AIR



FIREFIGHTING